



ISO 9001-2000



Regn. No. 2843

## Industrial » MANCOOLER

'ALMONARD' has included Mancooler in its product range to facilitate the shop floor in the industries to provide a better environment for their employees which in turn results by the increase in production.

'ALMONARD' Mancoolers are designed for large Air Volume discharge with high velocity and for long distance sweep.

'ALMONARD' Mancoolers can be used in various applications such as Arc furnaces, Drier Annealing furnaces, cooling the electrical equipments, for general comfort and proper ventilation in the shop floors.

'ALMONARD' Mancoolers are available in three types.

- 1) Wallmounting or Brackets
- 2) Pedestal and
- 3) Tubular type.



PEDESTAL FAN

WALL MOUNTING TYPE



WALLMOUNTING OR BRACKET TYPE

The Wallmounting Mancoolers are suitable for mounting at higher elevation in the wall or stanchion to avoid the occupation of floor space. These fans are mounted on steel pipe with suitable holes in the base plates for heavy duty Motors.

PEDESTAL TYPE

These type Mancoolers are designed to place on the shop floors. The cast aluminum alloy, statically and dynamically balanced impeller of high efficiency Aerofoil

Section blades is mounted directly on the motor shaft with suitable, sturdy protection guards and mounted on the steel pipe with motor base plate. The cast iron solid base holds the assembly on the floor free from Vibration The Air throw can be adjusted vertically for various positions. Castor wheels can be provided for the special application on specific request.

TUBULAR TYPE

In this type of Mancoolers, the impeller and Motor Assembly is mounted in the circular casing with suitable stand arrangement. This can be moved from place to place easily even in rough floor areas. The Air flow can be adjusted vertically for any convenient Position.

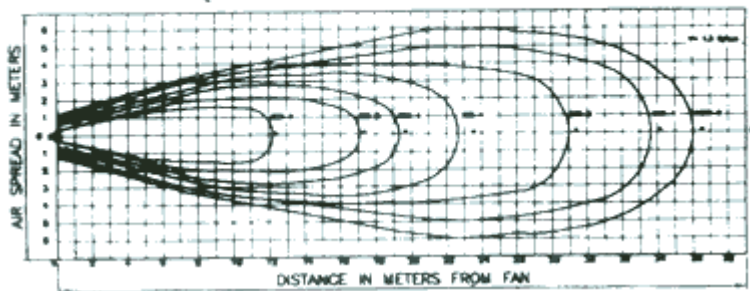


Necessary protection guards are also provided on both sides of the casing.

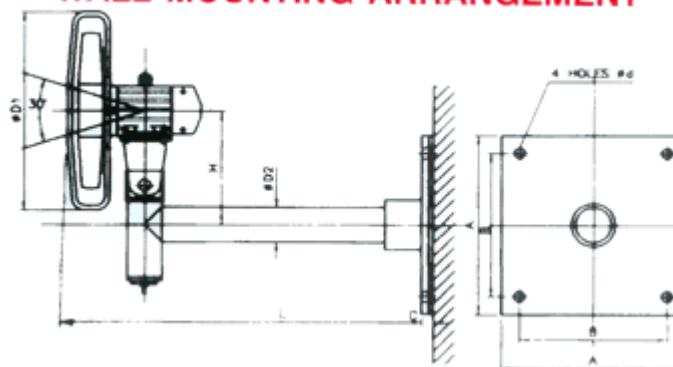
Technical Specification for Industrial Heavy Duty Type Man Cooler

| Sweep mm/<br>inches | H.P. | RPM  | Total air delivery<br>10 times blade<br>sweep(M <sup>3</sup> /Hr.) | Min Peak air velocity at a distance of |                                  |
|---------------------|------|------|--|--|----------------------------------|
|                     |      |      |  | 10 times blade<br>sweep (M.min.)       | 15 times blade<br>sweep (M.min.) |
| 457(18")            | 0.5  | 1370 | 12000  | 200                                    | 150                              |
| 457(18")            | 2.0  | 2810 | 24000  | 250                                    | 200                              |
| 610(24")            | 0.75 | 1400 | 28000  | 250                                    | 150                              |
| 762(30")            | 2.0  | 1400 | 37000  | 250                                    | 150                              |
| 914(36")            | 2.0  | 920  | 56000  | 250                                    | 150                              |
| 914(36")            | 3.0  | 1400 | 65000  | 275                                    | 175                              |
| 1220(48")           | 5.0  | 950  | 74500  | 250                                    | 150                              |

**AIR VELOCITY AND TRAVEL DIAGRAM  
(FOR MANCOOLERS)**



**WALL MOUNTING ARRANGEMENT**



Man Coolers are guaranteed for 1

year