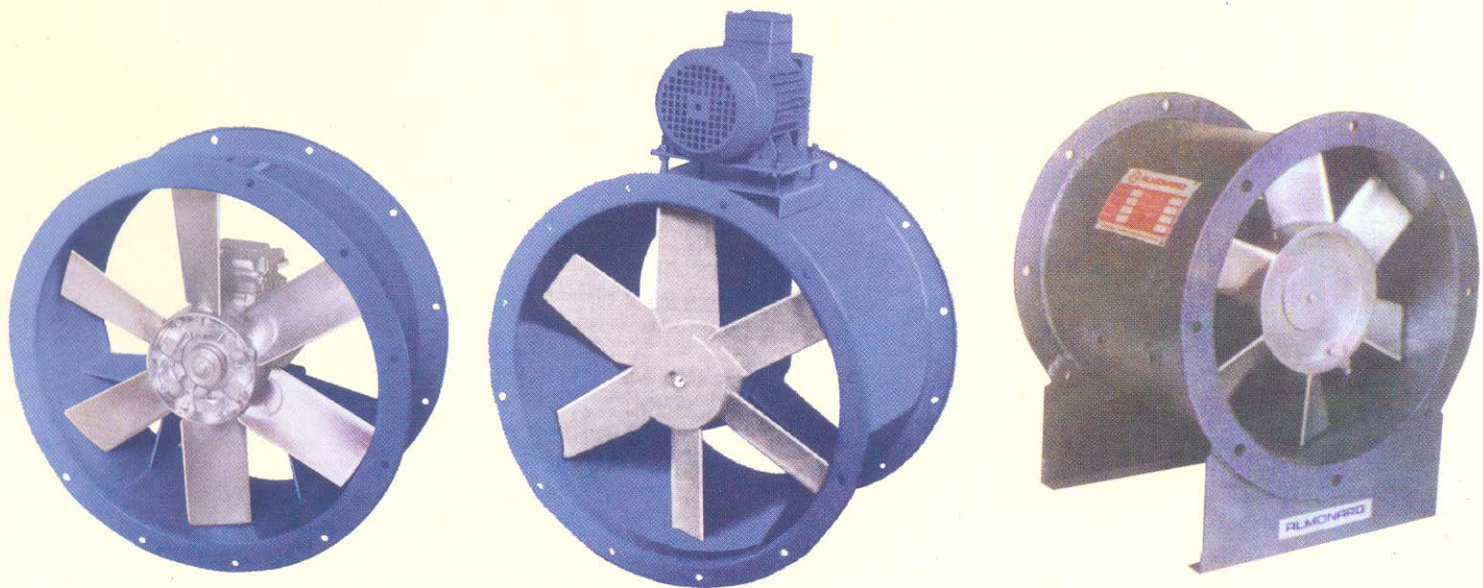
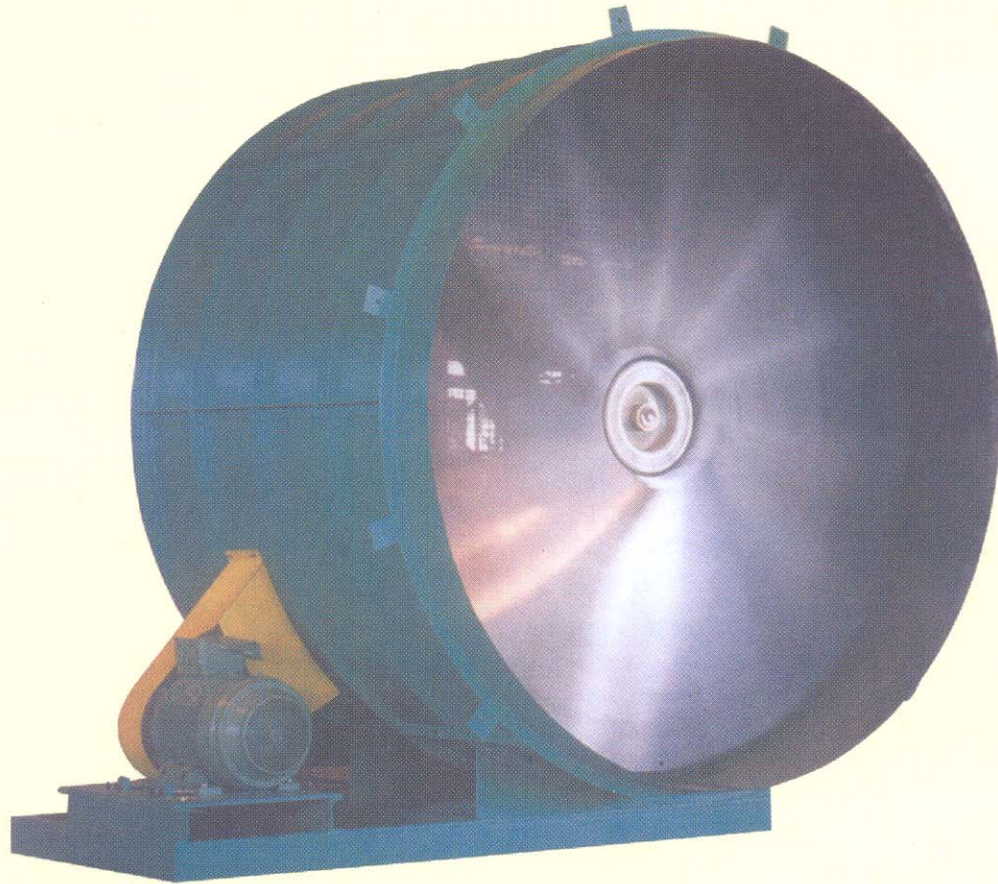


ALMONARD

AXIAL FLOW FAN



PROVEN PERFORMANCES

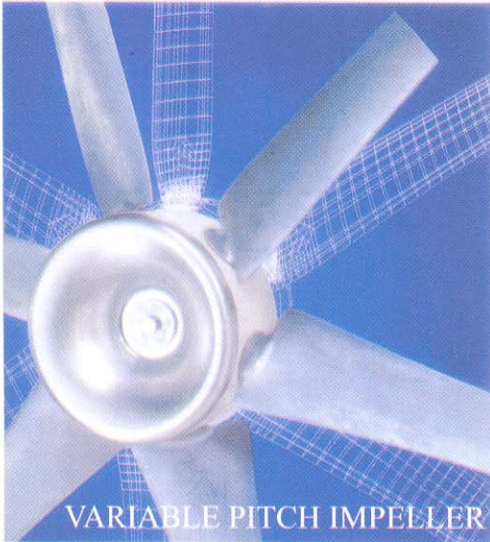
*** QUALITY * RELIABILITY * DEPENDABILITY**

AXIAL FLOW FANS

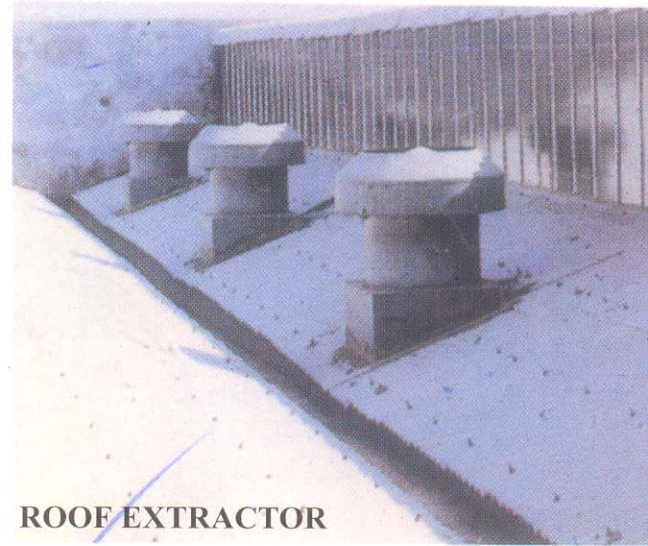
Almonard has been founded by technocrats, the pioneers in this field for more than 3 decades. Almonard Axial flow fan is suited for a large number of air handling applications in land and marine installations, commercial, industrial process and environment ventilation. Almonard manufactures regular series of fans and custom built fans to cater the specific needs of automobile, chemical, nuclear, cement, steel, paper sugar, textile plants, general engg. Foundries, jute mills, brewery, hotels and marine duty application etc.

AXIAL FLOW FAN TYPE :

- Belt Drive
- Bell Mouth
- Duct Type
- Roof Fixing
- Bifurcated
- Bed Type
- Split Type(Marine Duty)
- Wall Mounting



VARIABLE PITCH IMPELLER



ROOF EXTRACTOR

APPLICATIONS :

Almonard Axial flow fans are widely used in ventilation, pressurisation, humidification, evaporative cooling towers, kitchen ventilation, fume exhaust system, dry spray paint booth, marine duty and roof extractors etc.

DESIGN FEATURES :

Almonard Axial flow fans are compact, easy installing and highly reliable in operation. It is designed for optimum realisation between air quality, pressure, power consumption. Its impellers have high efficiency aerofoil section blades and cast Aluminium alloy with fixed and variable pitch.

PRODUCTION RANGE :

Almonard axial flow fans have wide range of fans including multistage high performance. ALMONRD Axial Flow Fans are available in five series.

AD series available in size 300mm-1600mm with fixed pitch impeller of 6 Nos blade.

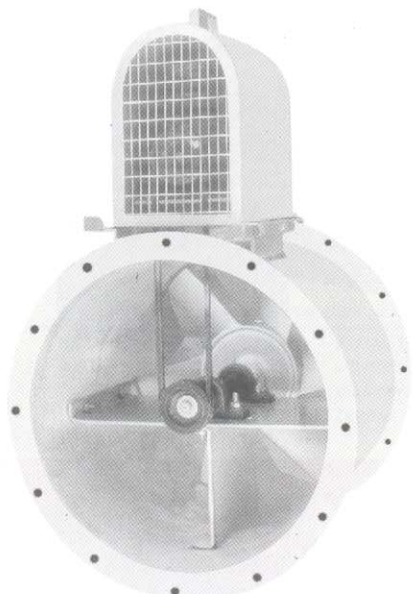
ADV series available in size 300mm-1200mm with adjustable pitch impeller of 4/6/8/ nos blades.

AW series available in size 300mm-900mm

ARE series available in size 450,600 & 900mm with fixed & adjustable pitch impeller.



BIFURCATOR FAN



DISTINGUISHING FEATURES :

- High Efficiency
- Aerofoil Design
- Robust Construction to Reduce Vibration
- Low Noise Level
- Special Coating & Lining for casing & impeller (GRP, FRP, PP, RUBBER, EPOXY)
- Low weight/High Strength
- Identical Air performance for all blade impellers
- Vibration free as VDI-2056
- Aerodynamic performance Tested as per IS 3588
- Possibility of reverse direction of air flow by turning the blade through.



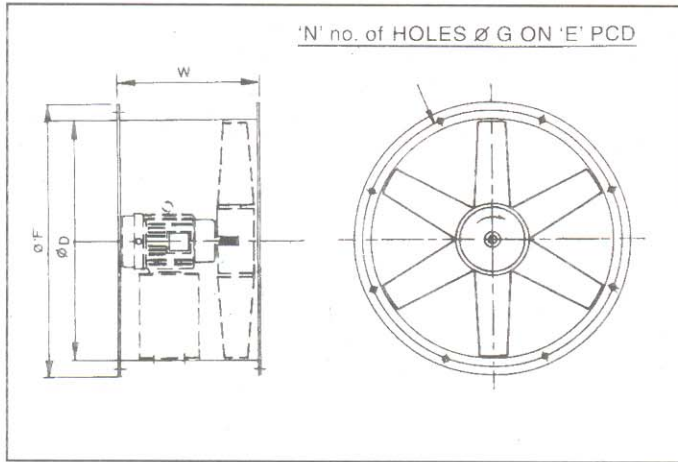
DUCT MOUNTED TYPE AXIAL FLOW FAN IN TEST RIG

**READY REFERENCE AIR FLOW CHART FOR AXIAL FLOW FAN @ 20°C, 760 MM Hg (MSL)
AIRFLOW IN CU.M/HR**

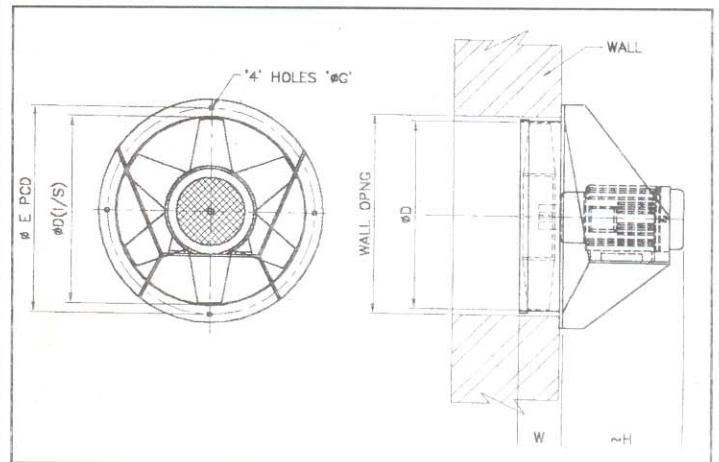
SL NO.	SIZE	HP/RPM	FAD	STATIC PRESSURE IN MM WG				
				5	10	15	20	25
1	AD-300	0.25/1330	1300	500	-	-	-	-
2	AD-300	0.25/2650	2600	2300	2050	1500	900	-
3	AD-350	0.25/1330	1950	900	-	-	-	-
4	AD-350	0.25/2650	4000	3700	3400	3100	2200	1600
5	AD-375	0.25/1330	2400	1100	-	-	-	-
6	AD-375	0.5/2780	4920	4550	4180	3810	2700	1960
7	AD-400	0.25/1330	3100	2400	1000	-	-	-
8	AD-400	0.75/2780	6100	5800	5450	5000	4400	3700
9	AD-450	0.25/1330	4500	3700	1900	800	-	-
10	AD-450	2/2800	9000	-	-	7800	7400	6800
11	AD-500	0.5/1370	6100	5300	4000	2100	-	-
12	AD-500	3/2840	12500	-	-	11100	11600	10250
13	AD-550	0.75/1400	8200	7500	6150	3500	2000	-
14	AD-600	1/1400	11000	9800	8750	7000	4000	3000
15	AD-700	2/1400	17500	16500	15000	14000	12500	8500
16	AD-750	2/1400	21525	20300	18450	17200	15375	9840
17	AD-800	5/1420	26000	-	23500	22000	20500	18300
18	AD-900	2/925	24000	22000	19000	16500	9000	7500
19	AD-900	7.5/1440	38000	-	-	34500	33000	31500
20	AD-1000	5/925	34000	-	29000	26000	16000	12500
21	AD-1000	12.5/1440	35000	-	45000	40000	38000	35000
22	AD-1200	10/950	60000	-	-	50000	47500	45000

**FURTHER HIGHER SIZES / CAPACITIES & PRESSURES ARE AVAILABLE ON REQUEST
FAD MEANS FREE AIR DELIVERY OF FAN IN CU.M/HR**

DIMENSIONS FOR AD SERIES



DIMENSIONS FOR AW-SERIES



DUCT MOUNTING

DIMENSIONS FOR AD SERIES

SIZE	HP/Pole	DIA 'D'	W	Nos	DIA 'G'	'E'PCD	FLANGE SIZE	WEIGHT IN KG
300	0.25/4	300	275	8	8.5	336	32x6	15
300	0.25/2	300	275	8	8.5	336	32x6	18
350	0.25/4	350	300	8	8.5	386	32x6	17
350	0.25/2	350	300	8	8.5	386	32x6	20
375	0.25/4	375	300	8	8.5	412	32x6	19
375	0.5/2	375	300	8	8.5	412	32x6	22
400	0.25/4	400	350	8	8.5	436	32x6	20
400	0.75/2	400	350	8	8.5	436	32x6	28
450	0.25/4	450	400	12	8.5	486	32x6	25
450	2/2	450	400	12	8.5	490	32x6	36
500	0.5/4	500	400	12	8.5	536	32x6	29
500	3/2	500	400	12	8.5	540	32x6	45
600	1/4	600	400	16	10.5	646	40x6	40
700	2/4	700	450	16	10.5	746	40x6	55
750	2/4	750	450	16	10.5	796	40x6	62
800	5/4	800	500	16	10.5	848	40x6	80
900	3/6	900	550	16	10.5	948	40x6	111
900	7.5/4	900	550	16	10.5	948	40x6	132
1000	5/6	1000	550	24	12	1058	50x8	142
1000	12.5/4	1000	800	24	14	1060	50x8	215
1200	10/6	1200	700	24	14	1260	65x8	160

WALL MOUNTING

DIMENSIONS FOR AW-SERIES

SIZE	HP/Pole	DIA 'D'	W	NOS	DIA 'G'	'E'PCD	FLANGE SIZE	~H	WEIGHT IN KG
300	0.25/4	300	70	4	10.5	340	32x6	192	15
300	0.25/2	300	70	4	10.5	340	32x6	192	16
350	0.25/4	350	70	4	10.5	385	32x6	192	16
350	0.25/2	350	70	4	10.5	385	32x6	192	17
375	0.25/4	375	70	4	10.5	410	32x6	192	19
375	0.5/2	375	70	4	10.5	410	32x6	220	22
400	0.25/4	400	70	4	10.5	435	32x6	192	20
400	0.75/2	400	70	4	10.5	435	32x6	247	26
450	0.25/4	450	70	4	10.5	485	32x6	220	24
450	2/2	450	70	4	10.5	485	32x6	255	35
500	0.5/4	500	90	4	10.5	543	40x6	220	27
500	3/2	500	90	4	10.5	543	40x6	280	43
600	1/4	600	90	4	10.5	643	40x6	242	35
700	2/4	700	110	4	12.5	743	40x6	280	53
750	2/4	750	110	4	12.5	793	40x6	280	58
800	3/4	800	110	4	12.5	843	40x6	320	73
900	3/6	900	150	4	12.5	944	40x6	355	110
900	7.5/4	900	150	4	12.5	944	40x6	355	129

* Designs are subject to change without any Prior Notice :



ALMONARD LIMITED

305, Kakad Chambers, 3rd Floor, 132, Dr. Annie Besant Road, Worli, Mumbai - 400 018.

REGD. TRADE MARK

BARODA Works : 852/2 & 853/1 GIDC, Makarpura, BARODA - 390010. ● Tel.: 2642264. ● Fax : 2656330
 CHENNAI Off. & Works : 439/3B, Ekambara Naicker Industrial Estate, Off Arcot Road, Alapakkam, Porur, Chennai - 600 116.
 Tel. : 2476 2627, 2476 2030. ● Fax : 2476 2627. ● Email : almonard@md5.vsnl.net.in

BANGALORE :

236/4, Jina Jyoti Complex,
Magadi Main Road,
BANGALORE - 560 023.
Tel.: 23381669. Fax.: 23303065

COCHIN :

XXXIX/1184, Town Hall Rd.,
Ernakulam, COCHIN - 682 018
Tel. : 2368821
Fax : 2351891

CALICUT :

23/1158 A&B Kambitta Valappu,
Cotton Mill Rd., Thiruvannur P.O.
CALICUT - 673 029.
Telefax : 2323672

MADURAI :

No. 25, Kakkann street,
Shenoy Nagar,
MADURAI - 625 020.
Tel.: 2533808 Fax : 2520303

COIMBATORE :

No. 9, Captain Palaniswamy
Layout, Thadagam Road,
COIMBATORE - 641 002.
Telefax : 2451811

SECUNDERABAD :

5 & 6 Padma Plaza,
6-2-101/6, New Boiguda,
SECUNDERABAD - 500 003.
Tel.: 2754 2788 Fax : 2754 2799

VIJAYAWADA :

9-3-13/B, Brahmin Street,
VIJAYAWADA - 520 001.
Telefax : 2561246

KANPUR :

16/71, B Civil Line,
Near Income Tax Office
KANPUR - 208 001 (U.P.)
Telefax : 2306238

BHUBANESHWAR :

7/A, Kharvel Nagar, Unit III,
Station Square
BHUBANESHWAR - 751 001.
Telefax : 2534926

DELHI :

Plot No. 417, Functional Ind, Estate,
Patpargani Industrial Area,
DELHI - 110 092.
Telefax : 2215 6143, 2215 6154.

JAIPUR :

D-18-A-1, Meera Marg,
Bani Park,
JAIPUR - 302 016.
Tel: 0141-200152 Telefax: 2207982.

NAGPUR :

Venkatesh Apartment,
193, Trimurtinagar, Square
Ring Road, Nagpur - 440 022.
Telefax : 2236822.

INDORE :

979, Khatiwala Tank,
Near Microwave Tower,
INDORE - 452 001.
Telefax : 2464676, 2440730

PUNE :

118/119 Indulal Comm. Complex,
Navi Peth, L.B.S. Road,
PUNE - 411 030.
Telefax : 4332728

AHMEDABAD :

212, 2nd Flr, Nalanda Enclave,
Opp. Hotel Chicago, Elisbridge,
AHMEDABAD - 380 006.
Telefax : 6584876